

Vytex



SLIDING PATIO DOORS

INVITE THE OUTDOORS IN

There's no better way to invite the feeling of the outdoors in than with Vytex's sliding patio doors. Made with the highest-quality materials and manufactured to superior standards, they're guaranteed to last.

Vytex offers two distinctive patio door designs to give your home a fresh, sophisticated style. Engineered for exceptional durability and cost-saving energy efficiency, our patio doors will improve the comfort and beauty of your home.



SIGNATURE SERIES

FEATURES & PERFORMANCE

DURABILITY & DEPENDABILITY

Specially formulated PVC prevents scratching and denting, full-height steel reinforced meeting rails provide extra strength and fusion welded sash and frame offer long-lasting durability.

MAXIMUM INSULATING CAPABILITIES

Three high-performance, Low-E glass options, Super Spacer® warm edge spacer system and our specially formulated VyFoam™, in frame and sash, offer ENERGY STAR® rated insulation. Multi-chambered insulating frames and weather-stripped interlocks help prevent drafts, leaks, and noise from entering your home.

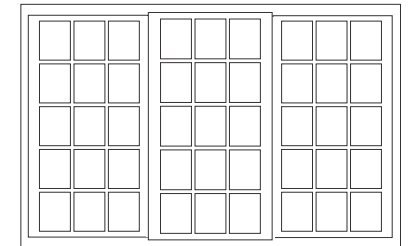
ADDED SECURITY

Heavy-duty triple-point locking hardware secures the door at three points, keeping your home, and family, safer and more secure.

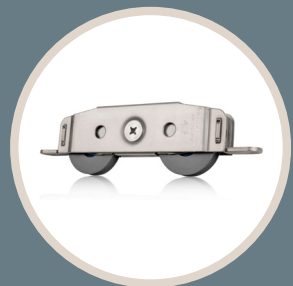


BETWEEN THE GLASS BLINDS

Instantly increase the privacy and beauty of your doors with the easy-to-operate VyView™ blinds. Keeps your blinds free from dust and allergens.



Available in two or three-panel designs to allow maximum natural light into your home.



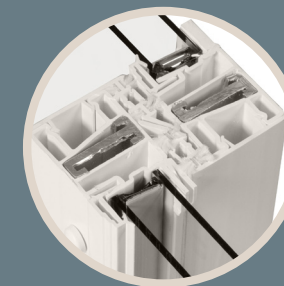
EASY & SMOOTH OPERATION

Exclusive sliding system featuring adjustable dual tandem 1" wheels ensures smooth, easy and quiet operation.



CUSTOMIZED TO YOUR HOME

Available with designer handles and key locks with 8 finish options. Sixteen VyCoat™ exterior colors available. Optional security bar and kick lock.*



MAXIMUM AIR BARRIER

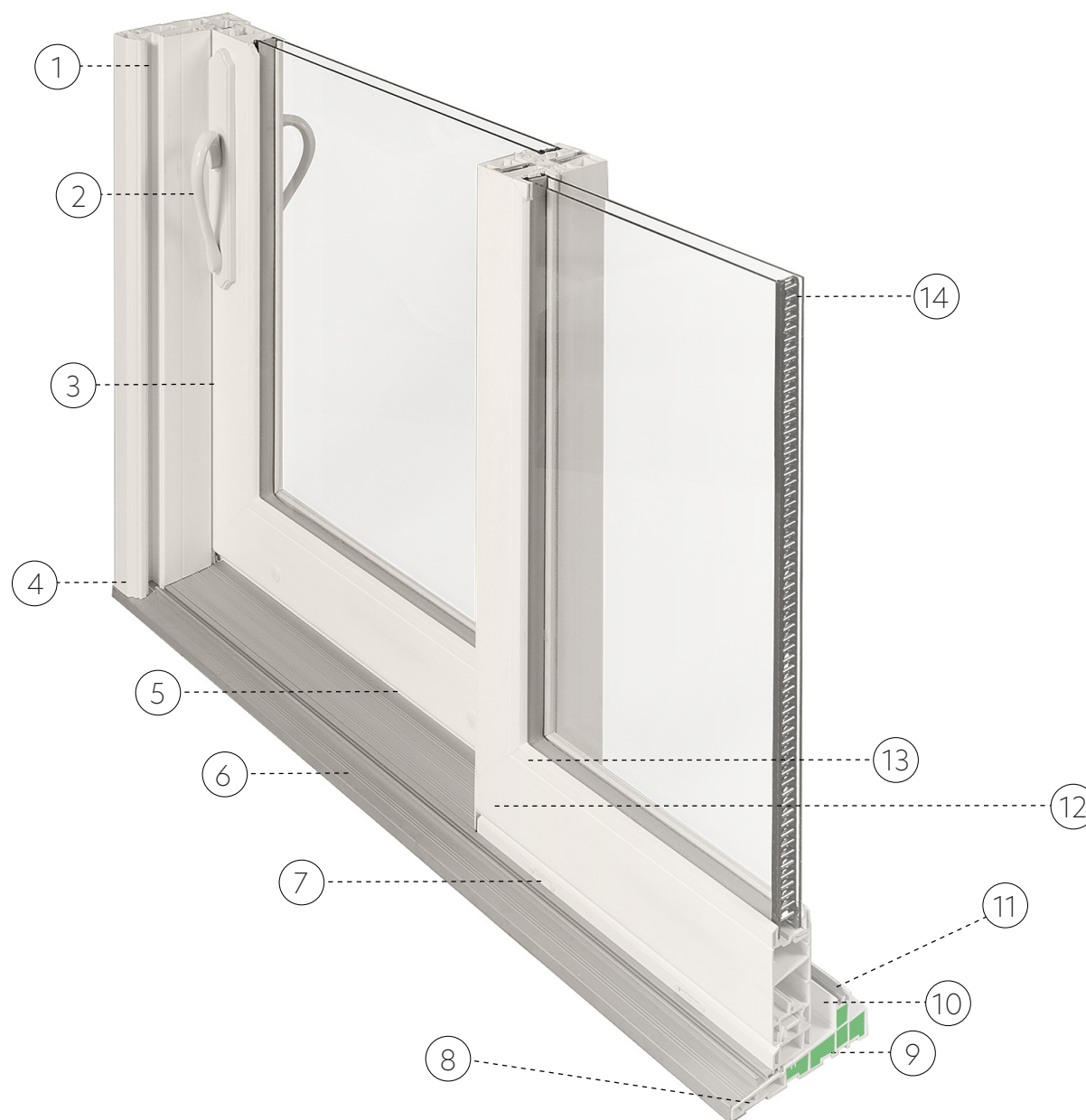
Quad weather-sealed meeting rails offer eight fin-type weather strips for maximum air barrier.

*Color options and appearance of hardware is subject to change.

SUPERIOR INSULATION & DURABILITY

Backed by years of innovation and experience, the Signature Series patio door offers superior insulation capabilities with the promise of long-lasting durability. We've carefully designed every detail of the door to meet or exceed industry standards and to offer the highest quality performance possible. You can purchase our doors with peace of mind knowing they'll last.

1. Sculpted Exterior Frame Detail
2. Designer Handle
3. Stainless Steel Multi-Point Locking System
4. Knock-Down Frame For Ease of Installation
5. Adjustable Dual Tandem Rollers
6. Aluminum Threshold
7. Custom-Designed Drainage System
8. Multi-Chambered Frame
9. VyFoam™ Insulation
10. High-Performance Sill Dam
11. Steel Roller Cover For Smooth Operation
12. Fusion-Welded Sash
13. Beveled Exterior Sash
14. Super Spacer® Warm-Edge Spacer System



7000 SERIES

FEATURES & PERFORMANCE

DURABILITY & DEPENDABILITY

Specially formulated PVC prevents scratching and denting, never needs sanding or painting and makes cleaning a breeze. Our operating panel and meeting rail are reinforced with roll formed steel to ensure rigidity and strength.

EXCEPTIONAL INSULATING CAPABILITIES

Our 3/4" insulated glass, multi-chambered insulating frames, DuraTex™ warm edge spacer system, and weather-stripped interlocks, keep drafts, leaks, and noise from entering your home.

ADDED SECURITY

For added security, Vytex's multi-point locking system secures the door at two points. It has earned the industry's highest recognized security rating.



* 7000 Series available in white finish only.



EASY & SMOOTH OPERATION

Adjustable tandem wheels for smooth operation.



ENERGY STAR® RATED

Vytex uses the latest advances in patio door and glass technology to maximize the performance and efficiency of your patio door investment.

DESIGN OPTIONS

Color options available for Signature Patio Doors only

CASHMERE

IVORY

WICKER

SANDALWOOD

CLAY

SANDSTONE

AMERICAN BROWN

UNIVERSAL BROWN

WEDGEWOOD BLUE

OLD WORLD BLUE

FOREST GREEN

SABLE

BRONZE

TRUE BLACK

CRANBERRY

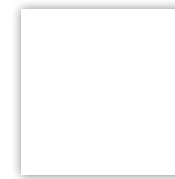
BURGUNDY

ELEGANCE THAT LASTS A LIFETIME

VYCOAT™ EXTERIOR COATING SYSTEM

The innovative technology of our VyCoat™ Exterior Coating System offers durability and elegance. This long-lasting, environmentally-friendly finish is low-maintenance, easy to clean, and will add enviable curb appeal to any home.

INTERIOR COLORS & VYWOOD™



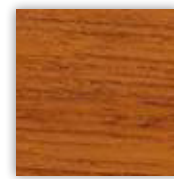
WHITE



BEIGE



MEDIUM OAK
WOOD GRAIN
LAMINATE



BRAZILIAN
CHERRY
WOODGRAIN
LAMINATE

Special formula PVC never needs painting, makes cleaning a snap, and prevents scratching and denting.

HARDWARE FINISH OPTIONS



WHITE



OIL-
RUBBED
BRONZE



SATIN
NICKEL



ANTIQU
BRASS



BRUSH
CHROME



BRASS

*Colors are as true as printing inks allow and may differ from actual product colors.

** 7000 Series available in white exterior finish only and white, brass, antique brass and brushed chrome hardware options only.

***Appearance of hardware and available colors are subject to change.

A large window with a view of a balcony and ocean, with a dog lying on a rug in the foreground. The window is framed in white and has a dark brown woven privacy screen on the left. The view outside shows a balcony with a white railing and a green plant. The ocean is visible in the distance. A dog with white and brown fur is lying on a colorful striped rug in the foreground. The text "OUR PROMISE" is centered in a dark blue box over the window.

OUR PROMISE

At Vytex, we guarantee your products for life.* Our promise to you is that in the course of normal use, our products will be free from defects in material and workmanship for as long as you reside in your home. You can rest easy knowing Vytex windows and doors will maintain their function and beauty for years to come.

*Covers materials only. Labor and delivery are not included.

Vytex

CORPORATE OFFICE/MANUFACTURING
9425 Washington Boulevard N, Laurel, Maryland 20723
☎ 301.362.1000 • ☎ 877.747.8735
www.vytexwindows.com

